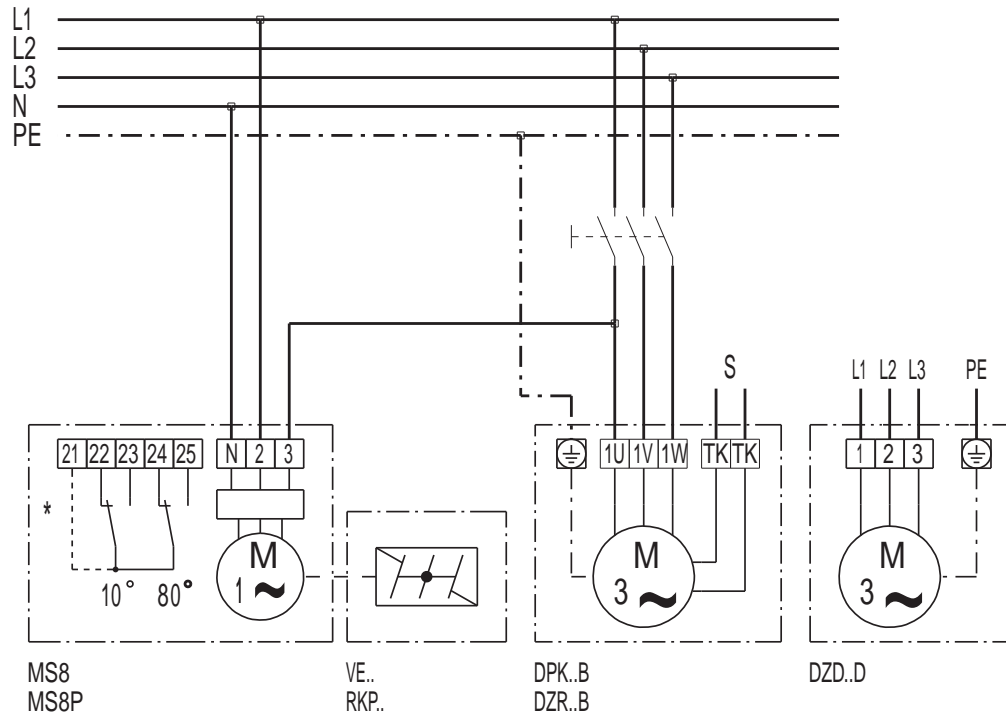


WIRING DIAGRAM

MS 8

MS 8, MS 8 P with three-phase AC motor

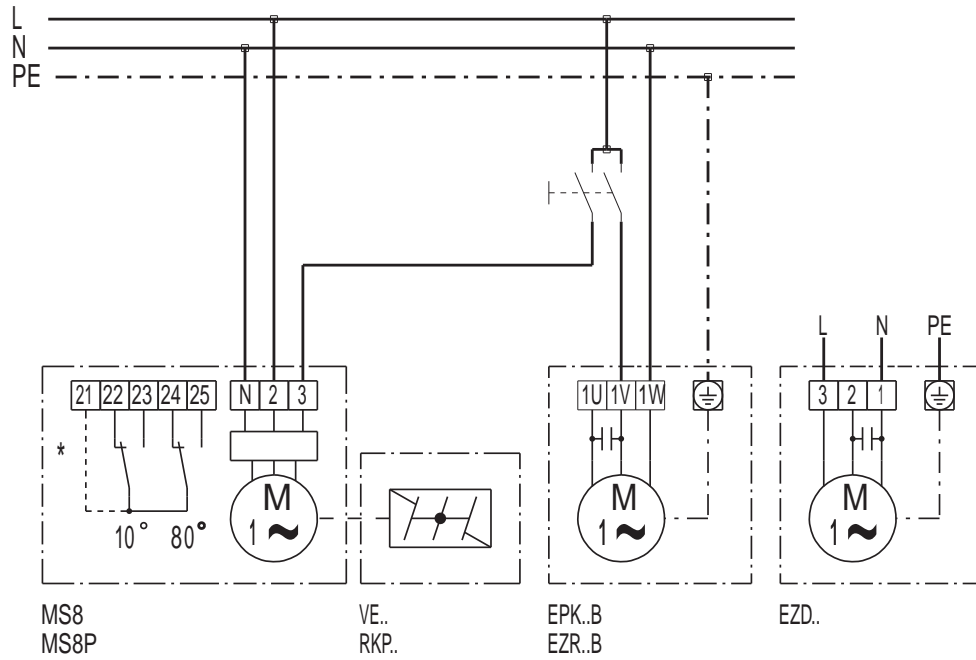


* Limit switch only for MS 8 P
S control circuit

WIRING DIAGRAM

MS 8

MS 8, MS 8 P with single-phase AC motor

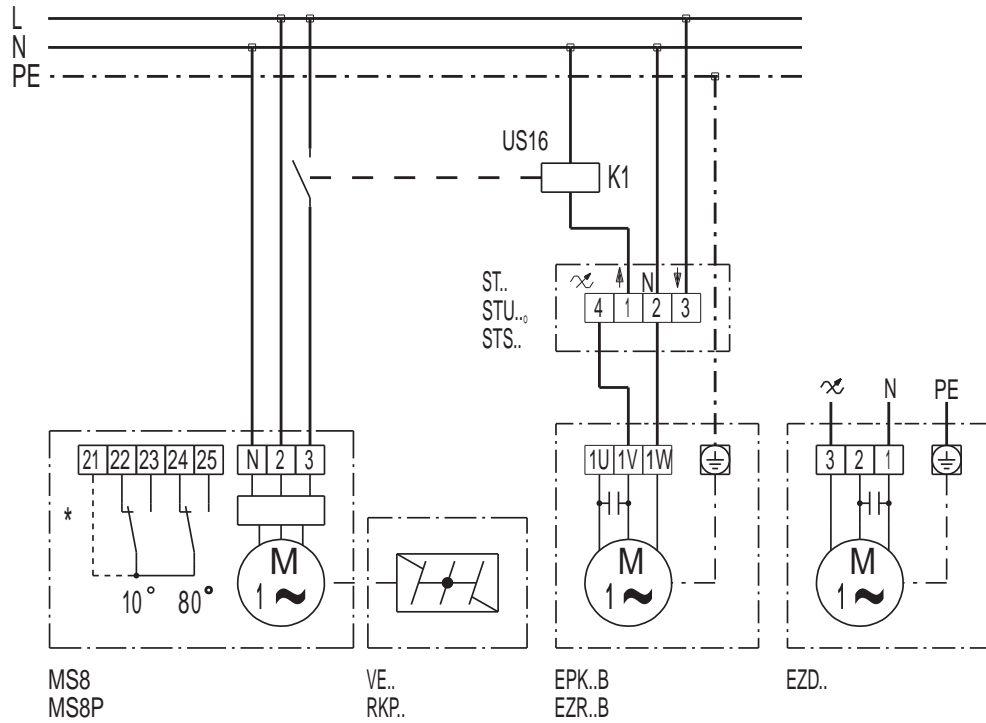


* Limit switch only for MS 8 P

WIRING DIAGRAM

MS 8

MS 8, MS 8 P with speed controller



* Limit switch only for MS 8 P