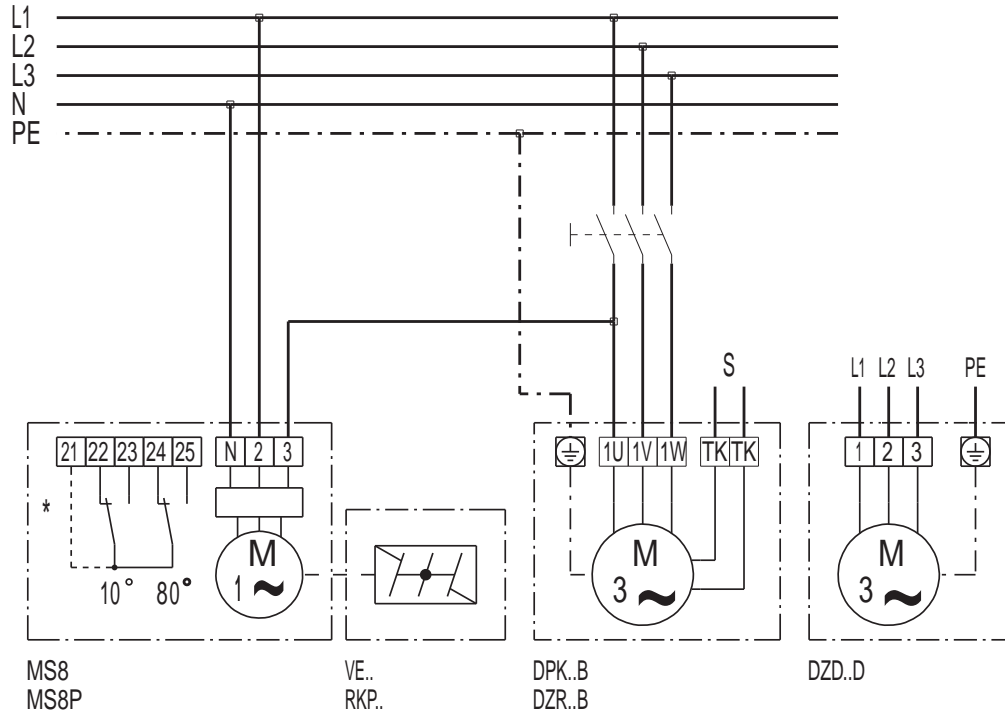


# WIRING DIAGRAM

## MS 8 P

### MS 8, MS 8 P with three-phase AC motor

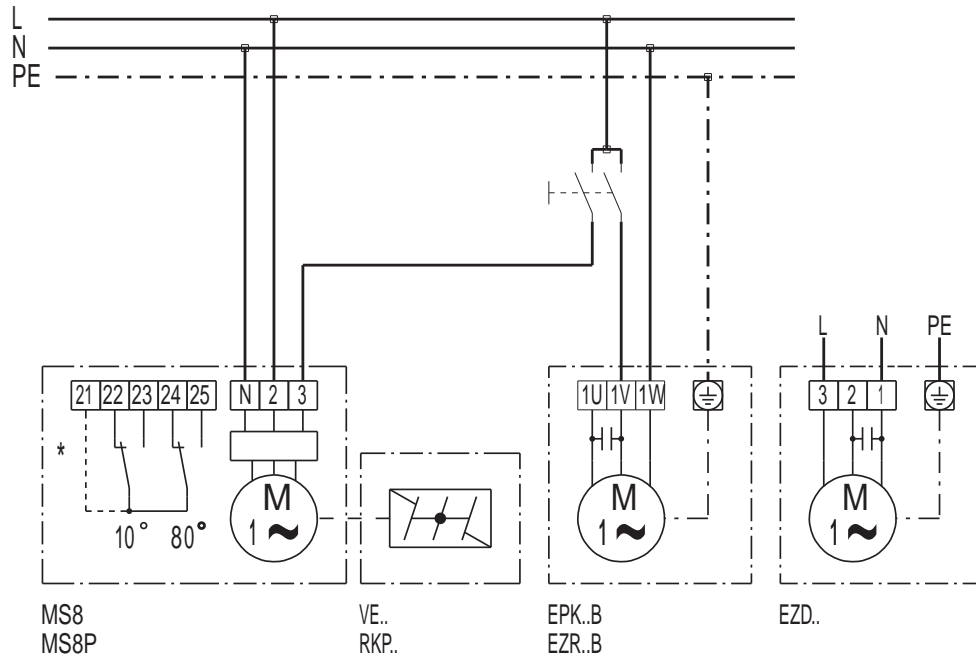


\* Limit switch only for MS 8 P  
S control circuit

# WIRING DIAGRAM

## MS 8 P

### MS 8, MS 8 P with single-phase AC motor

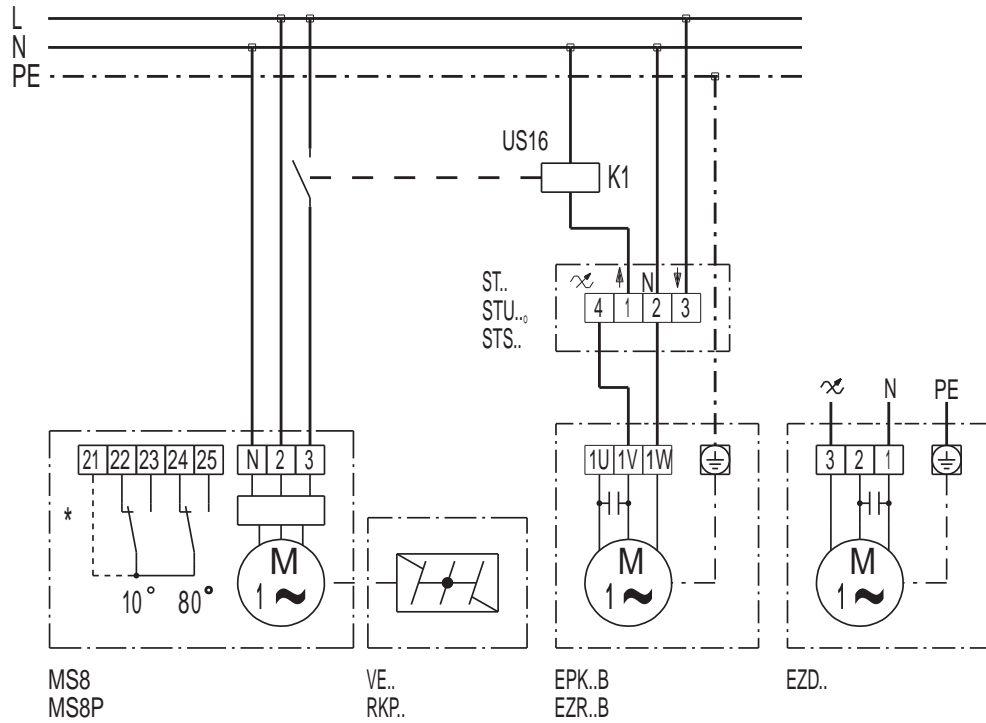


\* Limit switch only for MS 8 P

# WIRING DIAGRAM

## MS 8 P

### MS 8, MS 8 P with speed controller



\* Limit switch only for MS 8 P