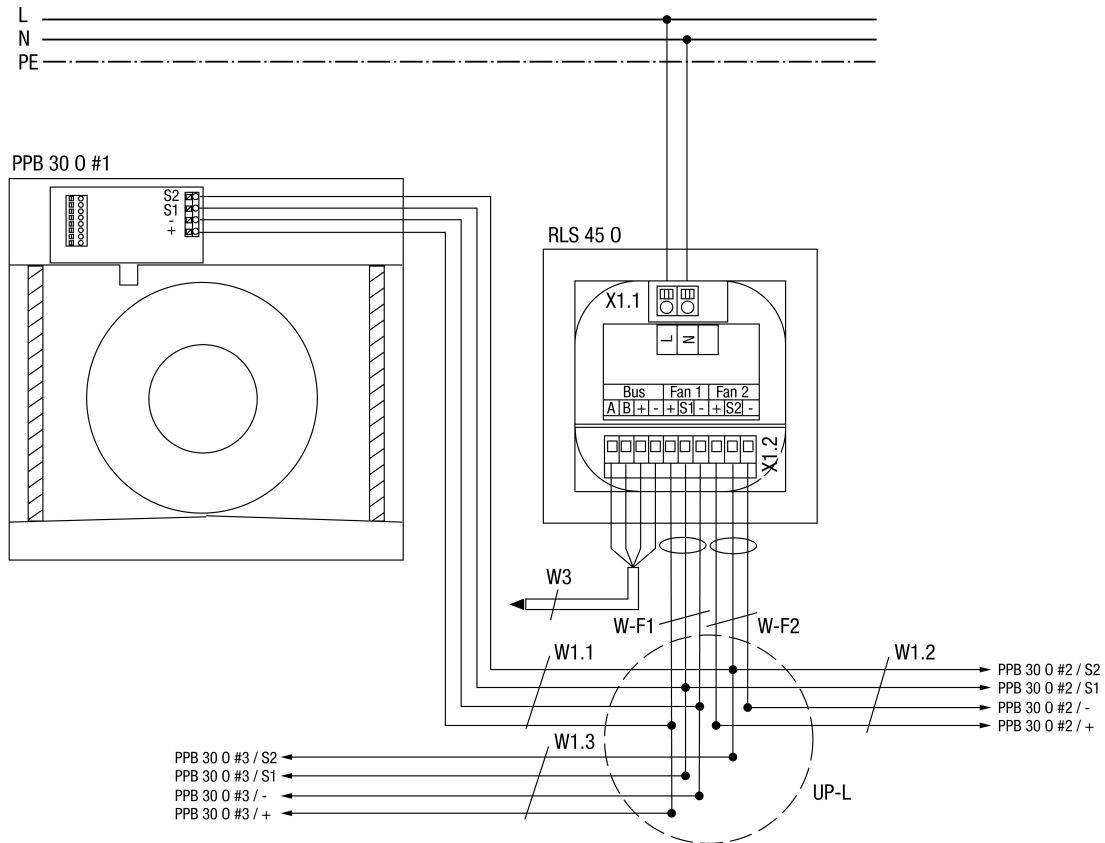


WIRING DIAGRAM

PPB 30 O



RLS 45 O - PushPull 45 object room air control

PPB 30 O - PushPull Balance 30 object ventilation unit

X 1.1 - RLS - Mains connection terminal

X 1.2 - RLS - Fan/bus connection terminal

UP-L - Recessed-mounted distributor connection for fan units, connection of all fan units in star shape to distributor

W-F1 - Fan 1 control cable, recommended control cable J-Y (ST) Y 2x2x0.8mm. Max. length to distributor 4m.

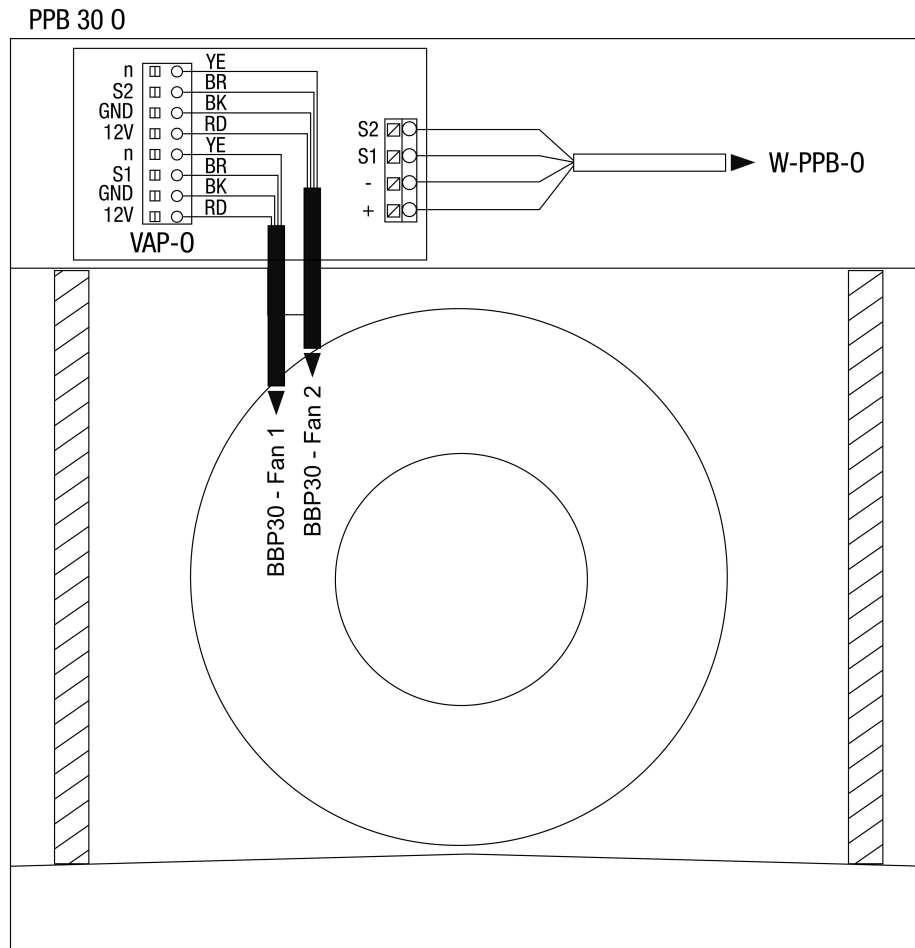
W-F2 - Fan 2 control cable, recommended control cable J-Y (ST) Y 2x2x0.8mm. Max. length to distributor 4m.

W1.X - Fan unit control cable, recommended control cable J-Y (ST) Y 2x2x0.8mm. Max. cable length from UP-L distributor to PP 45 ventilation unit = 25 m.

W3 - Bus (RS-485) connection cable, recommended control cable J-Y (ST) Y 2x2x0.8mm. Max. cable length to the sensors, RLS, LTs approx. 100 m. Alternatively, this connection can also be used as a ModBus RTU interface.

WIRING DIAGRAM

PPB 30 O



PPB 30 O - PPB 30 object ventilation unit

VAP-O - Object fan connection board

PPB 30 - Fan 1 - Fan 1 connecting cable

PPB 30 - Fan 2 - Fan 2 connecting cable

W-PPB-O - PPB 30 O connecting cable to RLS 45 K / O, recommended control cable J-Y(ST)Y 2x2x0.8mm². Max. cable length to the PPB 30 O, 25 metres from the star point.