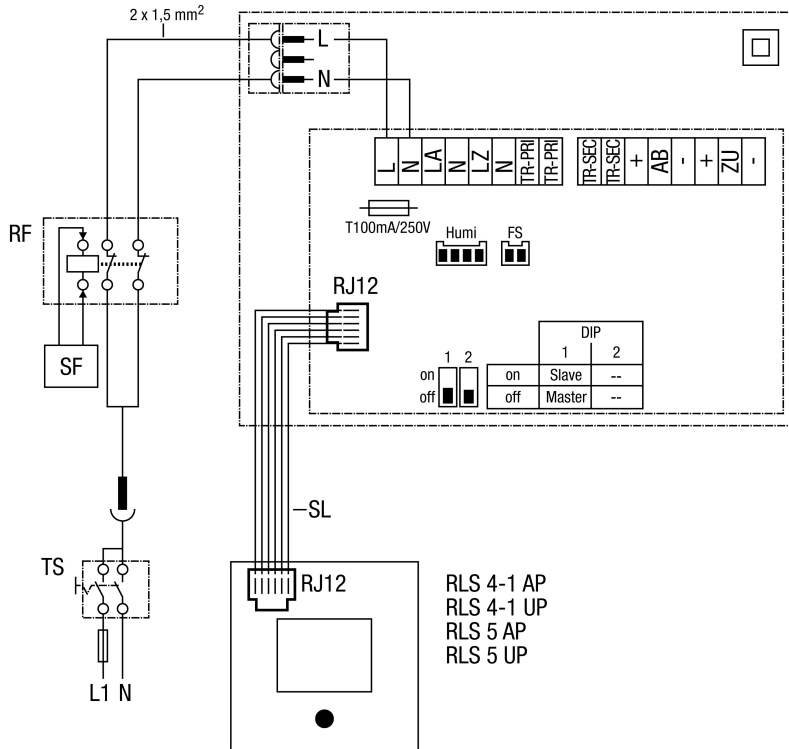


WIRING DIAGRAM

RLS 4-1 AP



WRG 35-1-SE final assembly kit with RLS 4-1 or RLS 5 room air control



RF - To be provided by customer for air-ventilated fireplaces

SF - Fireplace signal

TS - Customer's isolating switch, on/off switch, VDE 0700 T1 7.12.2

SL - 6-core control cable

Humi - Humidity sensor, only connected with WRG 35H-SE final assembly kit

FS - Frost protection sensor, special equipment