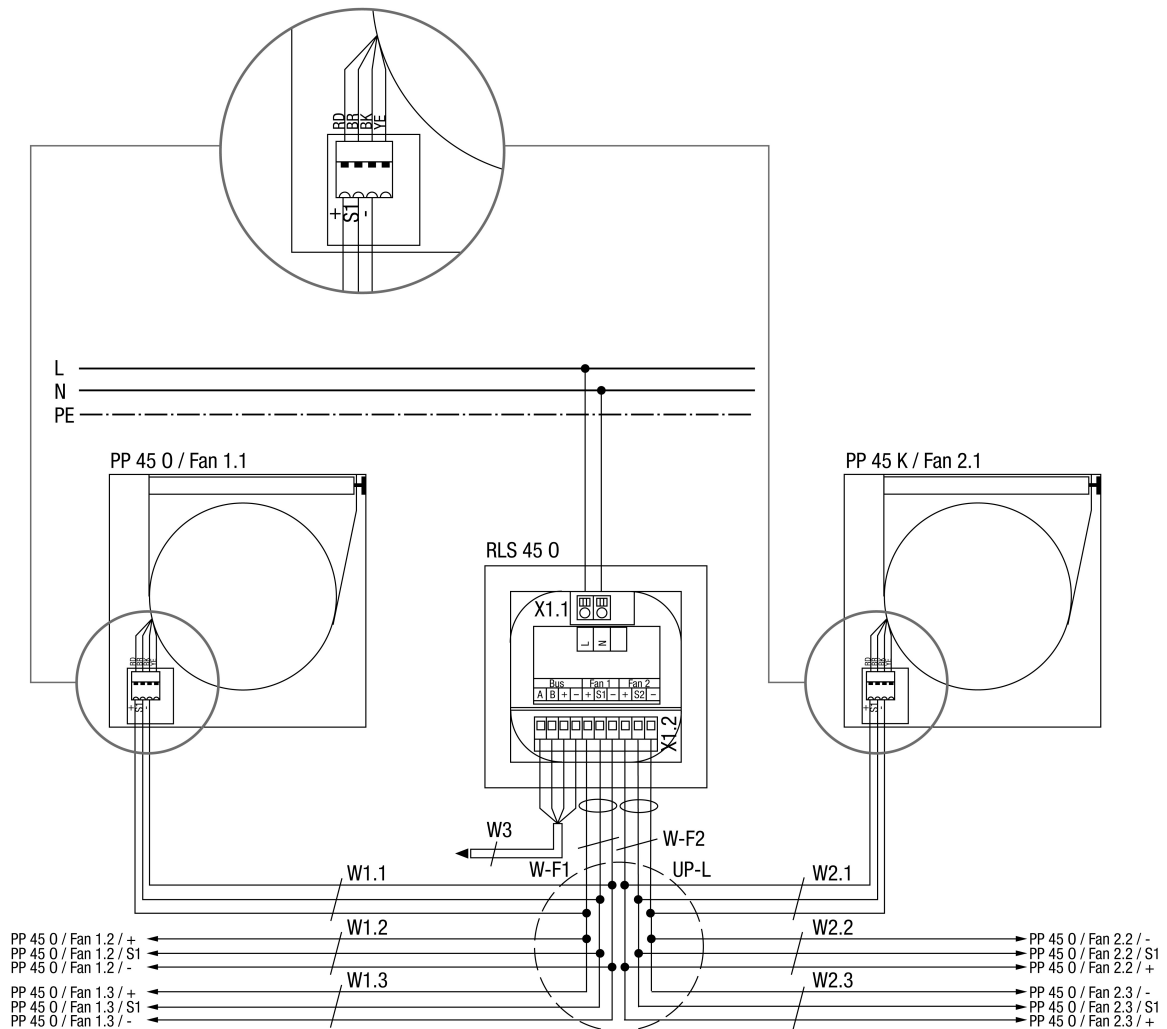


WIRING DIAGRAM

RLS 45 O



RLS 45 O - PushPull 45 object room air control

PP 45 O - PushPull 45 object ventilation unit

Fan 1.1 - fan unit 1, unit pair 1

Fan 2.1 - fan unit 2, unit pair 1

Fan 1.2 - fan unit 1, unit pair 2

Fan 2.2 - fan unit 2, unit pair 2

Fan 1.3 - fan unit 1, unit pair 3

Fan 2.3 - fan unit 2, unit pair 3

UP-L - Recessed-mounted distributor connection for fan units, connection of all fan units in star shape to distributor

W-F1 - Fan 1 control cable, recommended control cable J-Y (ST) Y 2x2x0.8mm. Max. length to distributor 4m.

W-F2 - Fan 2 control cable, recommended control cable J-Y (ST) Y 2x2x0.8mm. Max. length to distributor 4m.

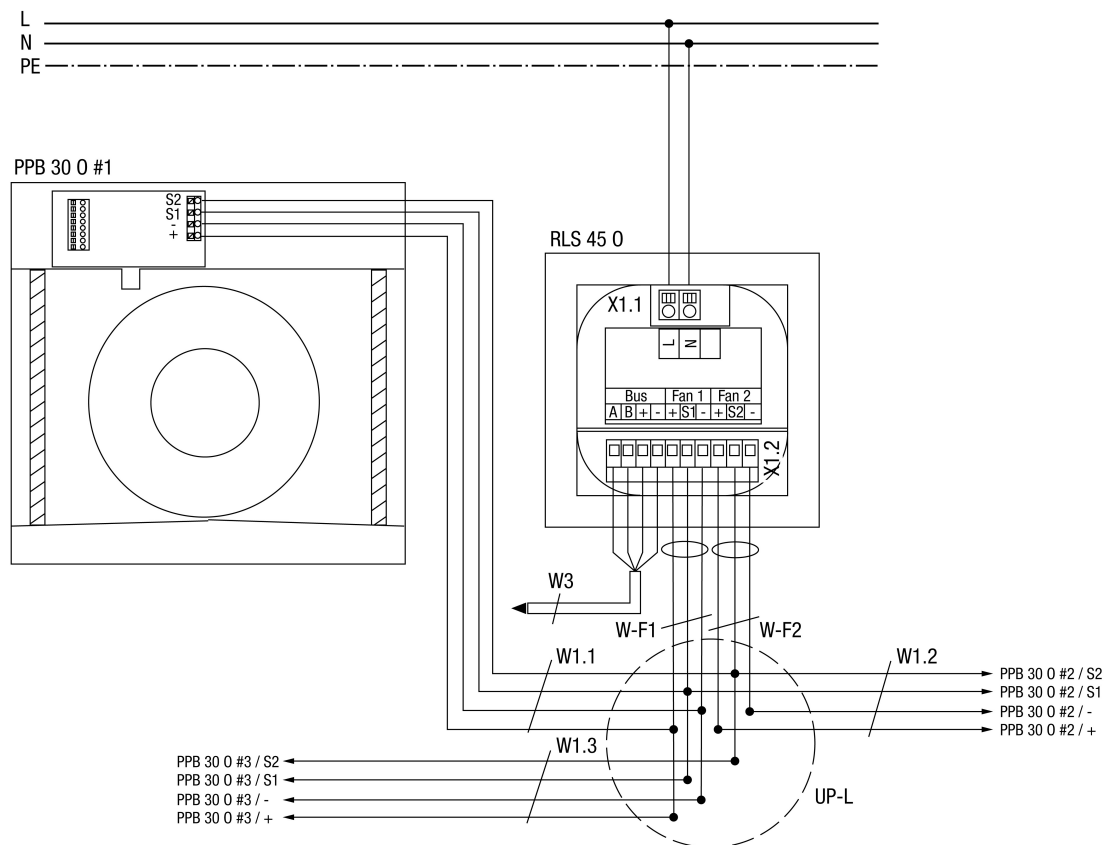
W1.X - Fan unit control cable, recommended control cable J-Y (ST) Y 2x2x0.8mm. Max. cable length from UP-L distributor to PP 45 ventilation unit = 25m.

W2.X - Fan unit control cable, recommended control cable J-Y (ST) Y 2x2x0.8mm. Max. cable length from UP-L distributor to PP 45 ventilation unit = 25m.

W3 - Bus (RS-485) connection cable, recommended control cable J-Y (ST) Y 2x2x0.8mm. Max. cable length to the sensors, RLS, LT and EnOcean module approx. 100m. Alternatively, this connection can also be used as a ModBus RTU interface.

WIRING DIAGRAM

RLS 45 O



RLS 45 O - PushPull 45 object room air control

PPB 30 O - PushPull Balance 30 object ventilation unit

X 1.1 - RLS - Mains connection terminal

X 1.2 - RLS - Fan/bus connection terminal

UP-L - Recessed-mounted distributor connection for fan units, connection of all fan units in star shape to distributor

W-F1 - Fan 1 control cable, recommended control cable J-Y (ST) Y 2x2x0.8mm. Max. length to distributor 4m.

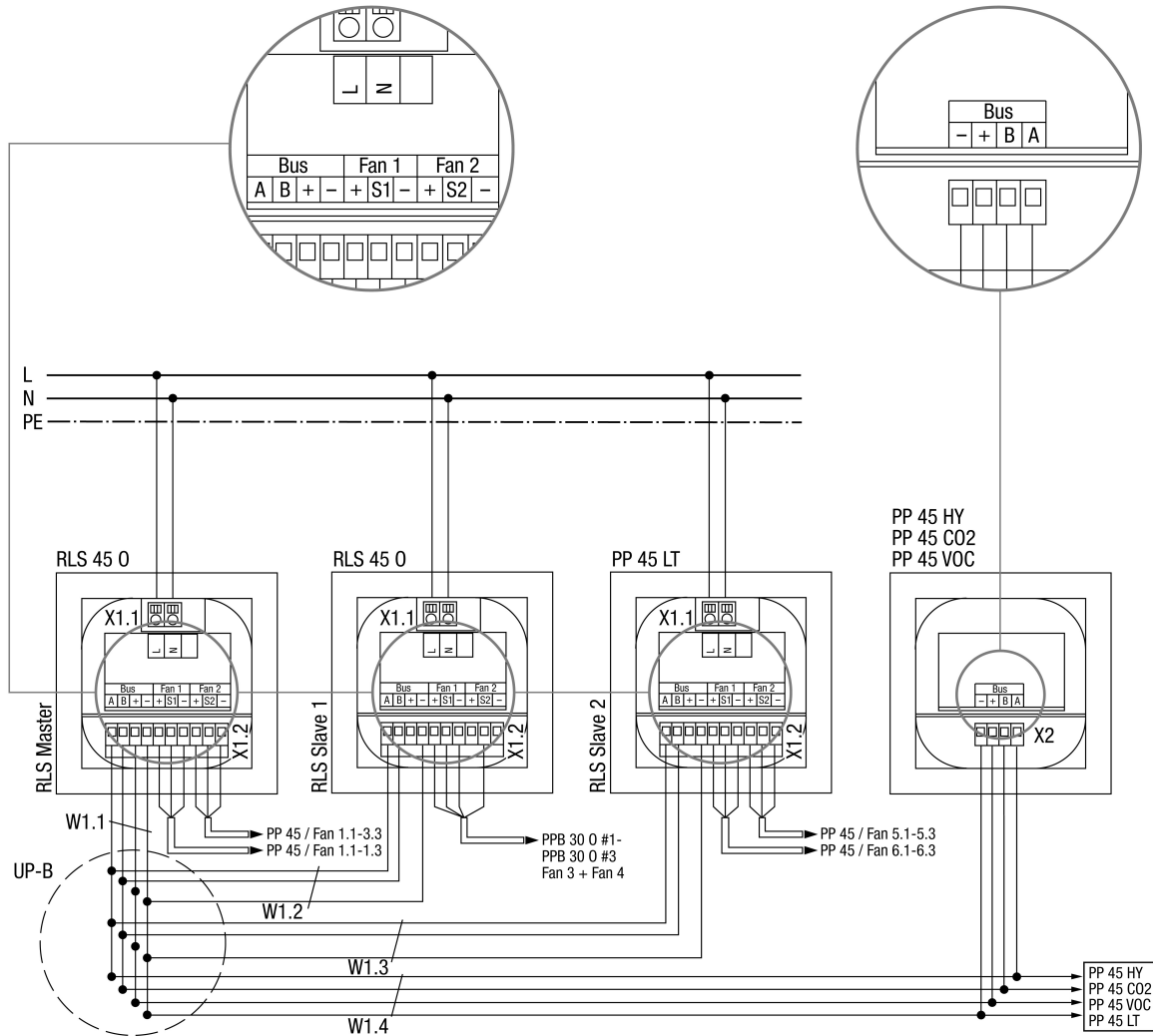
W-F2 - Fan 2 control cable, recommended control cable J-Y (ST) Y 2x2x0.8mm. Max. length to distributor 4m.

W1.X - Fan unit control cable, recommended control cable J-Y (ST) Y 2x2x0.8mm. Max. cable length from UP-L distributor to PP 45 ventilation unit = 25 m.

W3 - Bus (RS-485) connection cable, recommended control cable J-Y (ST) Y 2x2x0.8mm. Max. cable length to the sensors, RLS, LTs approx. 100 m. Alternatively, this connection can also be used as a ModBus RTU interface.

WIRING DIAGRAM

RLS 45 O



RLS 45 O - 45 object room air control

PP 45 LT - PP 45 power unit

PP 45 HY - PP 45 humidity sensor for recessed mounting

PP 45 CO2 - PP45 CO2 sensor for recessed mounting

PP 45 VOC - PP45 VOC sensor for recessed mounting

Fan 1.1-1.3 - Fan unit 1 and 3 on RLS master

Fan 2.1-2.3 - Fan unit 2 and 4 on RLS master

Fan 3 + 4 G1-3 - Fan unit 6,7,8 on RLS slave 1

Fan 5.1-5.3 - Fan unit 9,11,13 on RLS slave 2

Fan 6.1-6.3 - Fan unit 10,12,14 on RLS slave 2

UP-B - Recessed-mounted distributor bus, connection of RLS, LT, EO and sensors using RS-485 bus interface

W1.X - Bus (RS-485) connection cable, recommended control cable J-Y(ST)Y 2x2x0.8mm. Max. cable length to the sensors, RLS, LTs and EnOcean module approx. 100 m. Alternatively, this connection can also be used as a ModBus RTU interface.