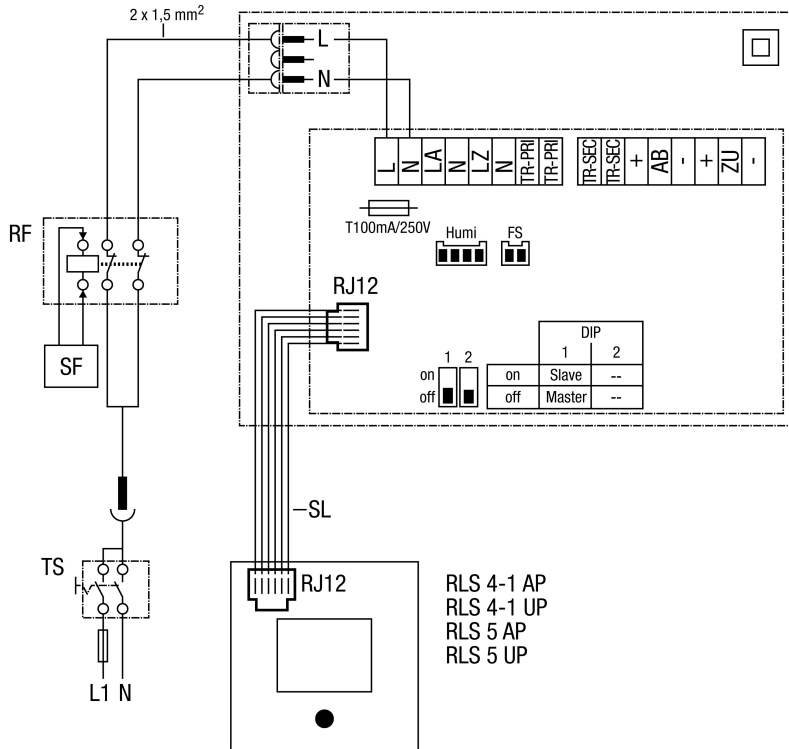


WIRING DIAGRAM

RLS 5 UP



WRG 35-1-SE final assembly kit with RLS 4-1 or RLS 5 room air control

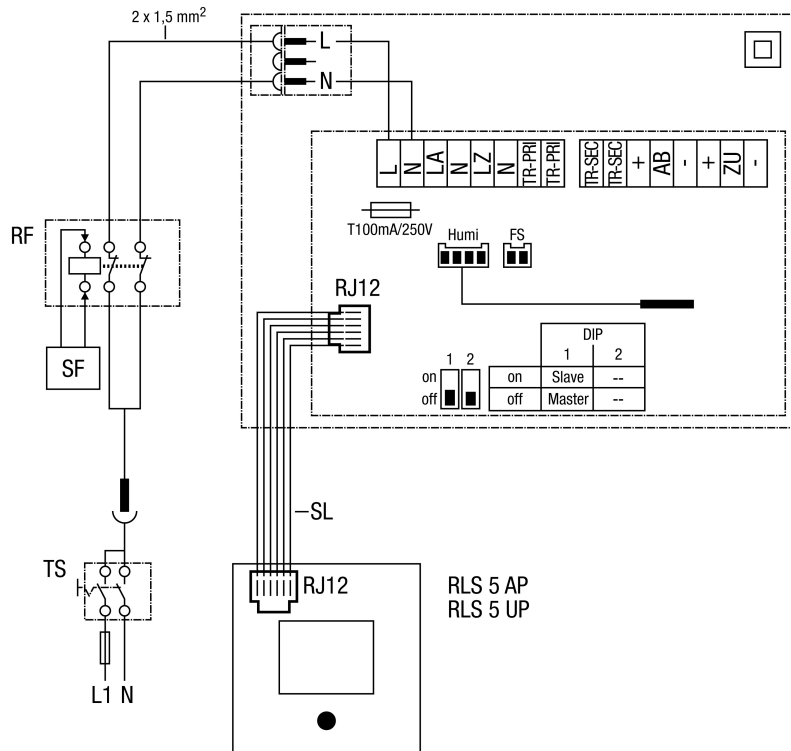


- RF - To be provided by customer for air-ventilated fireplaces
- SF - Fireplace signal
- TS - Customer's isolating switch, on/off switch, VDE 0700 T1 7.12.2
- SL - 6-core control cable
- Humi - Humidity sensor, only connected with WRG 35H-SE final assembly kit
- FS - Frost protection sensor, special equipment

WIRING DIAGRAM

RLS 5 UP

WRG 35H-SE final assembly kit with RLS 5 room air control



- RF - To be provided by customer for air-ventilated fireplaces
- SF - Fireplace signal
- TS - Customer's isolating switch, on/off switch, VDE 0700 T1 7.12.2
- SL - 6-core control cable
- Humi - humidity sensor
- FS - Frost protection sensor, special equipment