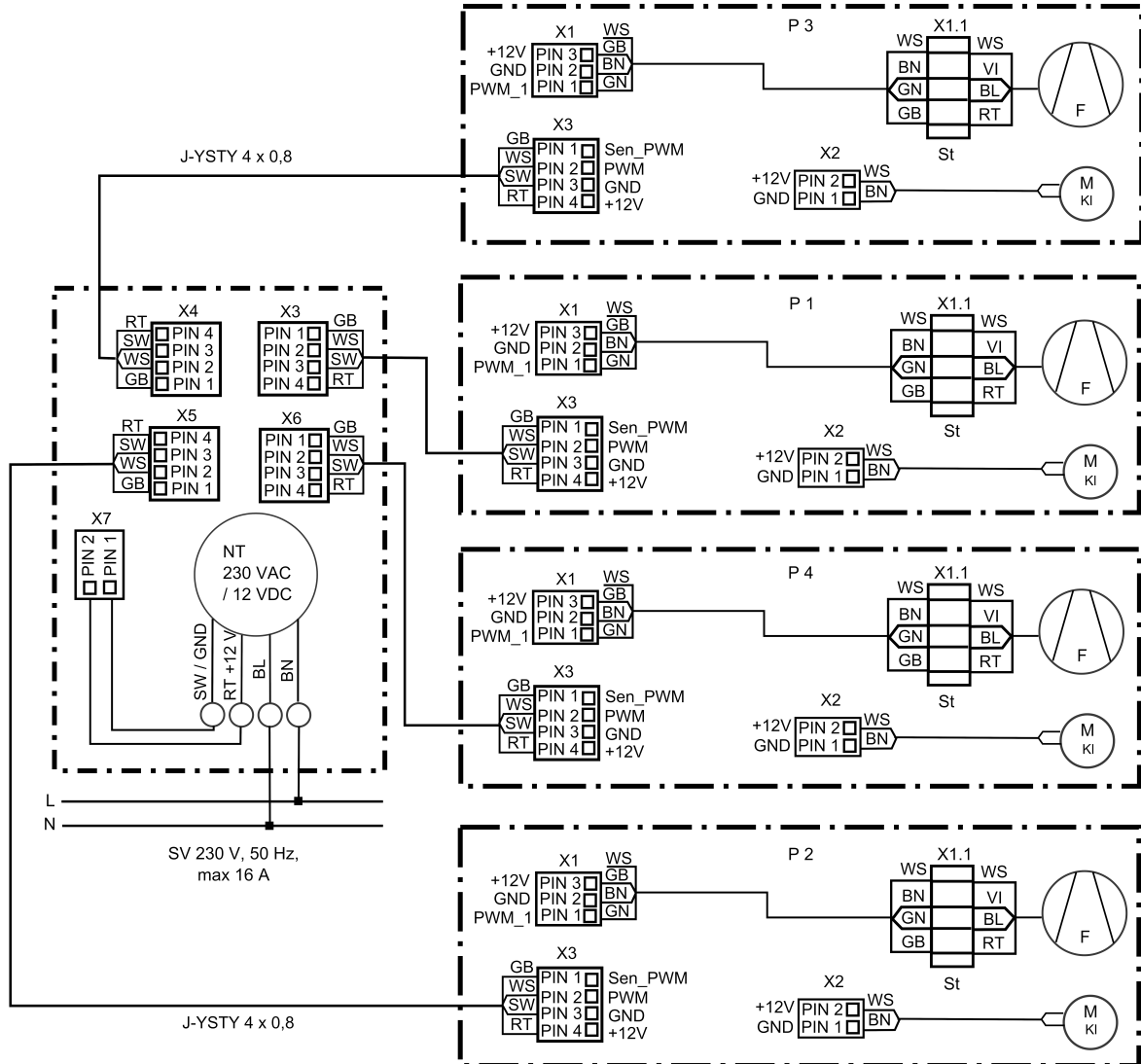


WIRING DIAGRAM

RLS PP-K1



Connection for PushPull 60 K ventilation units to RLS PP-K room air control



- P - PushPull Fan
- F - Fan
- KI - Shutter
- St - Connector
- NT - Mains adapter
- SV - Power Supply