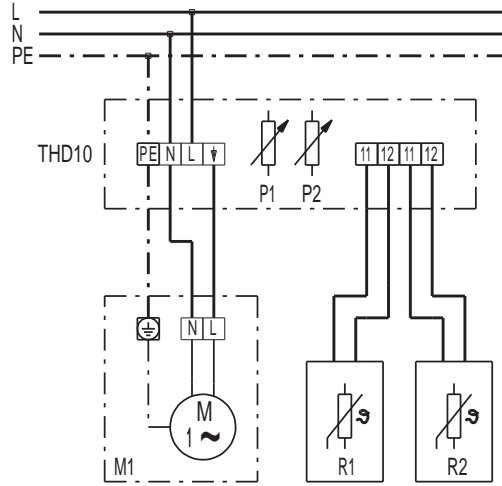


WIRING DIAGRAM

THD 10



THD 10 combined with 2 temperature sensors



- THD10 - difference thermostat
- R1 - room temperature sensor
- R2 - ceiling temperature sensor
- P1 - setting: Temperature setpoint
- P2 - setting: Temperature difference
- M1 - fan