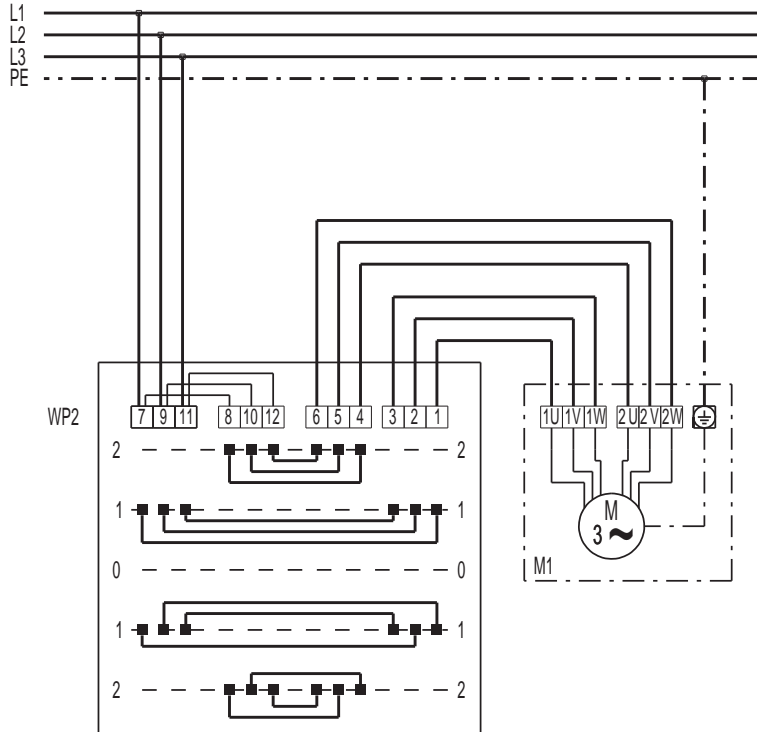


WP 2

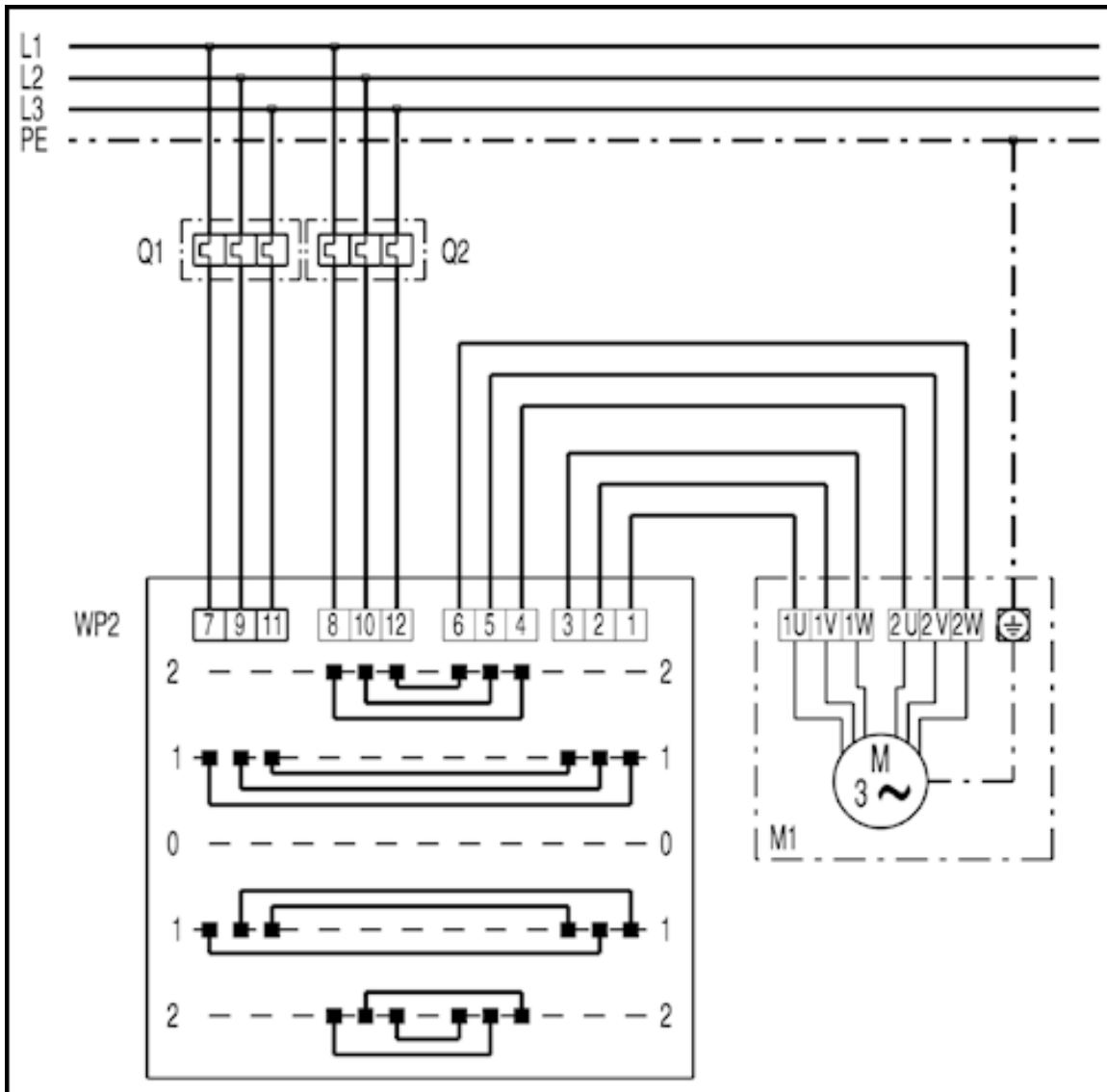
WP 2 without motor protection switch



WP2 reversing pole-changing switch: Step 2/Step 1/Off/Step 1/Step 2
M1 fan (motor with 2 separate windings)

WP 2

WP 2 without motor protection switch



WP2: Reversing pole-changing switch Step 2/Step 1/Off/Step 1/Step 2

Q1,Q2 motor protection switch (supplied by customer)

M1 fan (motor with 2 separate windings)

When using motor protection switches, the bridges between 7-8, 9-10 and 11-12 must be removed at WP2.