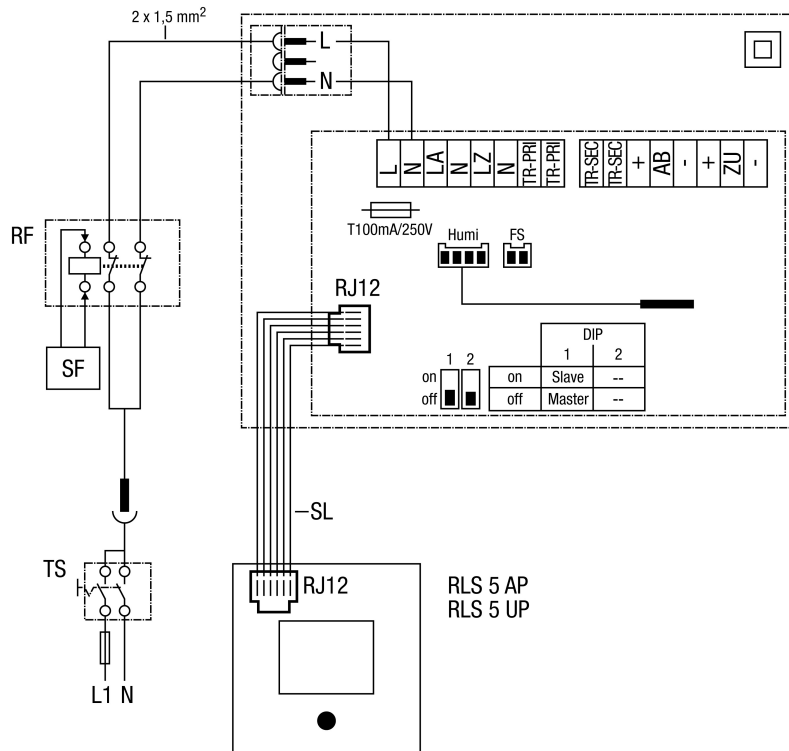


# WIRING DIAGRAM

## WRG 35H-SE



### WRG 35H-SE final assembly kit with RLS 5 room air control



RF - To be provided by customer for air-ventilated fireplaces

SF - Fireplace signal

TS - Customer's isolating switch, on/off switch, VDE 0700 T1 7.12.2

SL - 6-core control cable

Humi - humidity sensor

FS - Frost protection sensor, special equipment