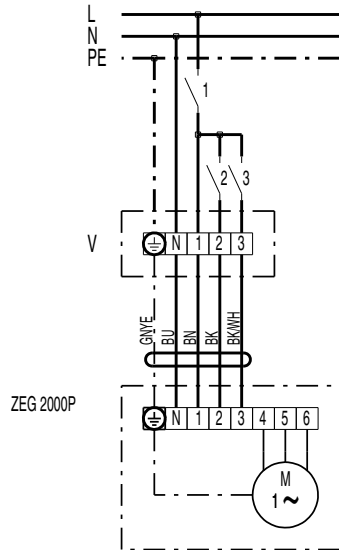


# WIRING DIAGRAM

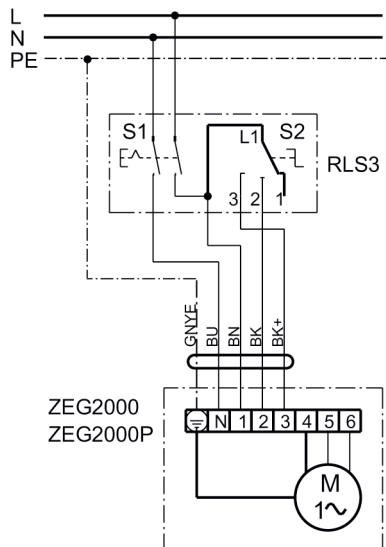
## ZEG 2000 P

### ZEG 2000 P



- 1 = Low power
- 2 = Medium power
- 3 = High power
- V distributor (supplied by the customer)

### ZEG 2000 P with RLS 3 room air control



- S1 - On / Off
- S2 - low, medium, high power