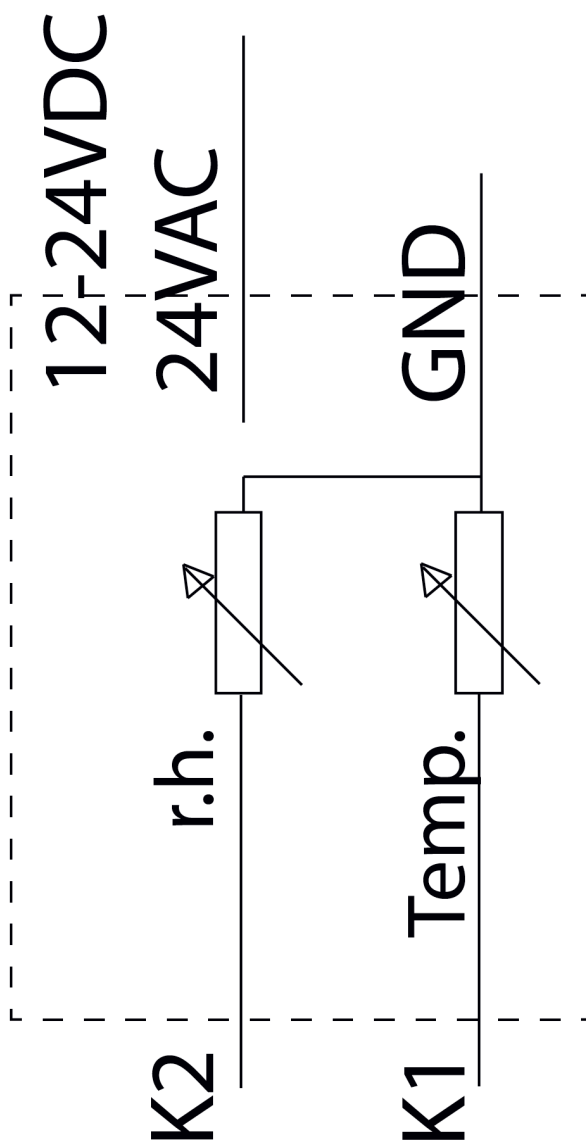


FFT 30 K

FFT 30 K



Signal (K1/K2) 0-10 V

---