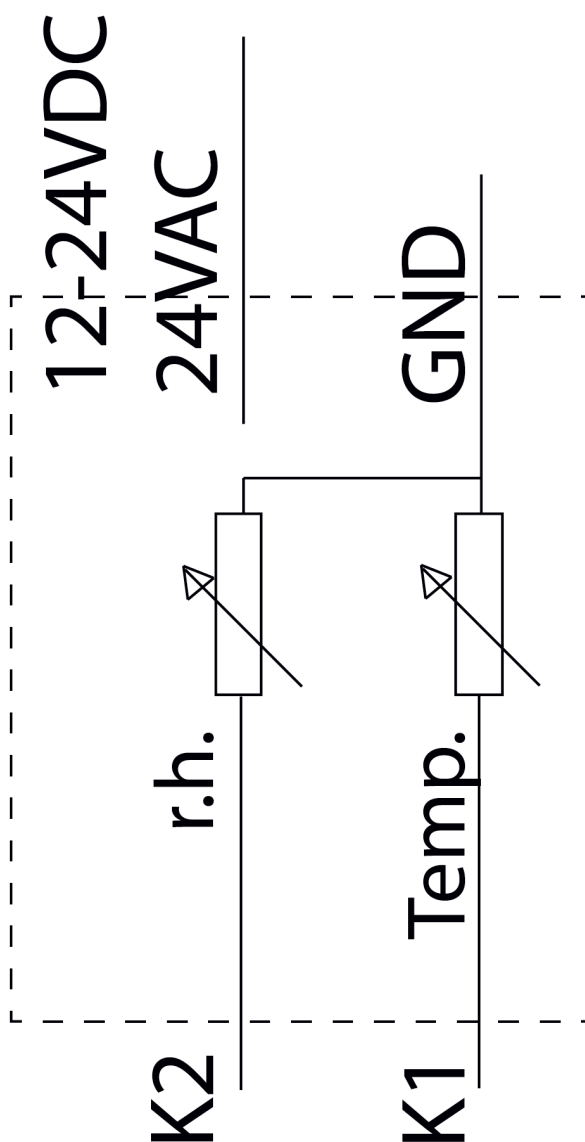


FFT 30 K



Sygnal (K1/K2) 0-10 V

---