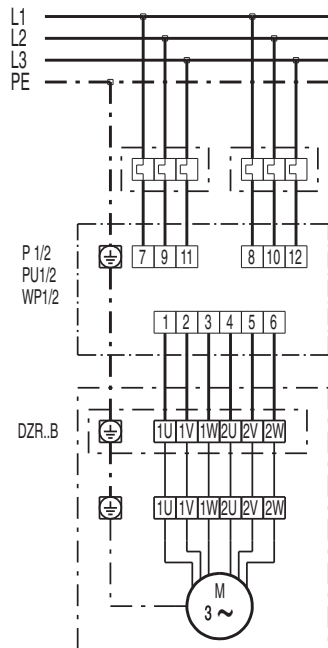


DZR 25/84 B



# DZR 25/84 B

